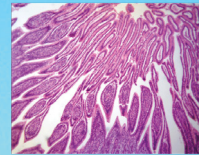




# LABOMED, INC.



## LB-108 Monocular Zoom Microscope

**LB-108 Monocular Zoom Microscope** adopt apochromatic parallel optical imaging system and provide high resolution and sharp stereoscopic images. This series microscopes are designed for the applications in the fields of machine vision, industrial inspection and scientific research. Modularization product portfolio and excellent optical performance make them a better choice in these areas.



# LABOMED, INC.

## Application

**LB-108 Monocular Zoom Microscope** are widely used in educational demonstration, agriculture research, industrial material, semi-conductor, integrated circuit board inspection area and so on.

## Features

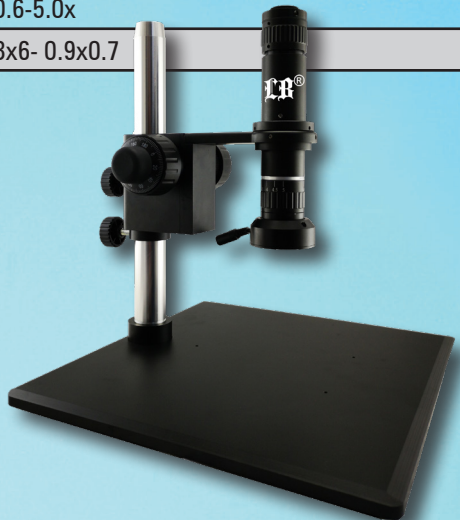
1. Adopt apochromatic parallel optical imaging system, use advanced multi-layer coating technology, excellently correct the imaging on the edge of field of view. Get high-resolution and high contrast images, naturally restore the true colors of observed objects.
2. Compact design, so that all functions are concentrated in a tube, it is very suitable for the small installation space in modern equipment.
3. Zoom ratio 1:8.3, zoom range  $0.6\times-5\times$ , standard working distance 88mm, can meet the requirement of machine vision conventional imaging.
4. There are a variety of auxiliary lens and C-mount eyepiece adapter for option, make the system's optical magnification range  $0.054\times-1500\times$ , working distance 2mm-270mm, object field of view 0.004mm-20mm.
5. LED Ring light, Polarizing illumination, Coaxial illumination system are optional, Coaxial illumination adopts single high brightness 3W LED, color temperature 5500K, uniform lighting, suitable for high reflectivity surface precision detection and limited exterior lighting occasions.
6. Adopt modular design, various additional accessories are optional to make the microscope a powerful device for your jobs.



# LABOMED, INC.

## Specification

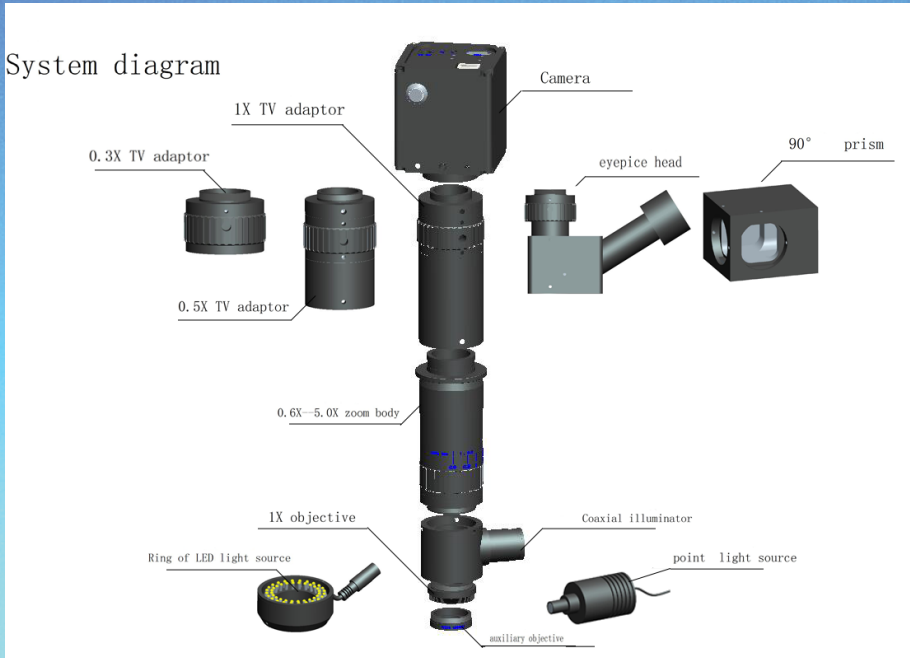
Item	Specification
Optical System	Infinite apochromatic parallel optical system
Zoom Lens	Optical zoom magnification: 0.6×-5.0×
Zoom ratio	01:08.3
Mounting Size	Φ40mm
C-mount Adapter	1× C-mount adapter
Auxiliary Lens	1× / WD: 88mm
Ring Light	BAL-48A LED Ring light, brightness adjustable
Stand and focus arm	BA2 Pillar type column plain stand with coarse and fine focus arm
Total Mag.	0.6-5.0x
FOV (mm)	8x6- 0.9x0.7





# LABOMED, INC.

## System Diagram





# LABOMED, INC.

## Optional Accessories



**CCD C-mount Adapter**



**LB-108 with coaxial device and triple nosepiece**



**Eyepiece head**



**90° Prism**



# LABOMED, INC.



**LB-108 with coaxial device**



**LB-108 LCD**



**Auxiliary Objective**



**LED Ring Light**



**Polarized LED ring light(back)**



**Polarized LED ring light**



# LABOMED, INC.



**Polarized Coaxial Device**



**Coaxial Device**



**LED point light for Coaxial Device**



**X-Y Stage**



**LB-108 with LCD screen holder**



**LCD screen holder**



# LABOMED, INC.



**90° Prism on C-mount**



**90° Prism on objective**



**Focus arm with camera holder(Up)**



**Focus arm with camera holder(Down)**







# LABOMED, INC.



**Single Rigid Fiber**



**Double Rigid Fiber**



**Ring Flexible Fiber**



**BA1 Stand**



**BA2 Stand**



**BA3 Stand**

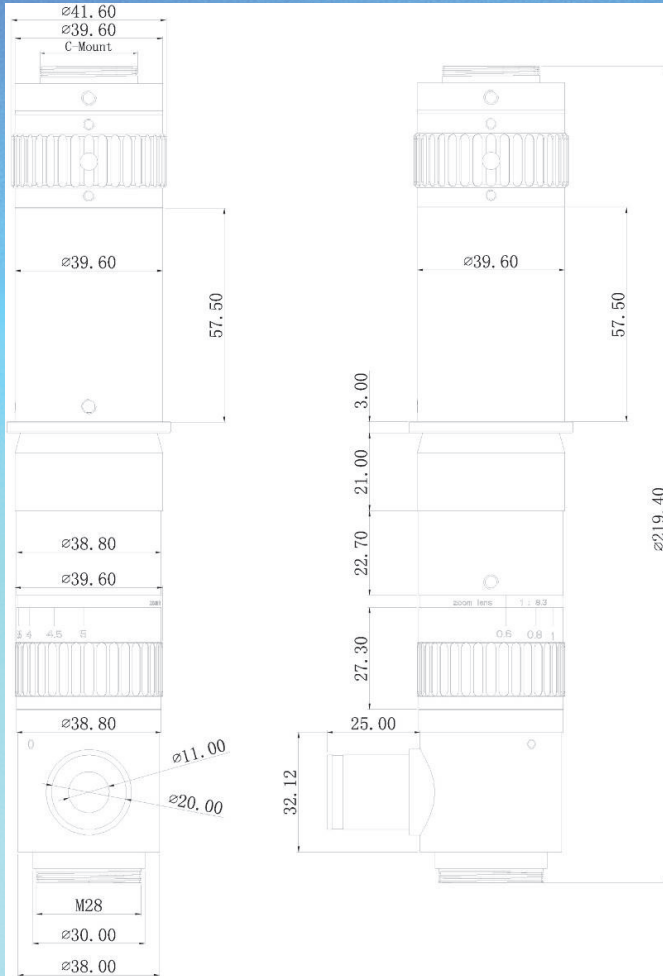


**BA4 Stand**



# LABOMED, INC.

## Dimension





# LABOMED, INC.

