



# **LB-207**

**Biological Microscope w/ Backward  
Quadruple Nosepiece, Achromatic  
Objective & Finite Optical System**



## LB-207 Biological Microscope w/ Backward Quadruple Nosepiece, Achromatic Objective & Finite Optical System

LB-207 Biological Microscope w/ Backward Quadruple Nosepiece, Achromatic Objective & Finite Optical System are economic and easy to operate with clear image. These microscopes adopt LED illumination and ergonomics design, comfortable for observation. These microscopes are widely used in educational, academic, agricultural and study field. Rechargeable battery compartment is standard for outdoors operation or places that power supply is not stable.

### APPLICATION

LB-207 Biological Microscope w/ Backward Quadruple Nosepiece, Achromatic Objective & Finite Optical System are ideally suited for school biological education and medical analyses area to observe all kinds of slides. They can be widely used in schools, clinics, hospitals, academic labs and scientific research department.

### FEATURES

1. Comfortable operation with ergonomic design.
2. Rechargeable LED illumination system. The built-in rechargeable module in the base can be charged when the microscope is working. With long battery life, the microscopes can work when there is no power supply. Charging indicator on the right side of the base is clear to know the power supply working status.



Built-in rechargeable module



Charging indicator

3. Cord rest on back of the microscope. The power supply plug can be wrapped at the back of the microscope, it is helpful to clean the working environment and effective to avoid the accident when moving the microscope. Adopted USB power cable, it can be powered by computer(laptop) or portable power source, more convenient and flexible.



4. Compact and flexible, ideally suited for desktop, laboratory worktable.

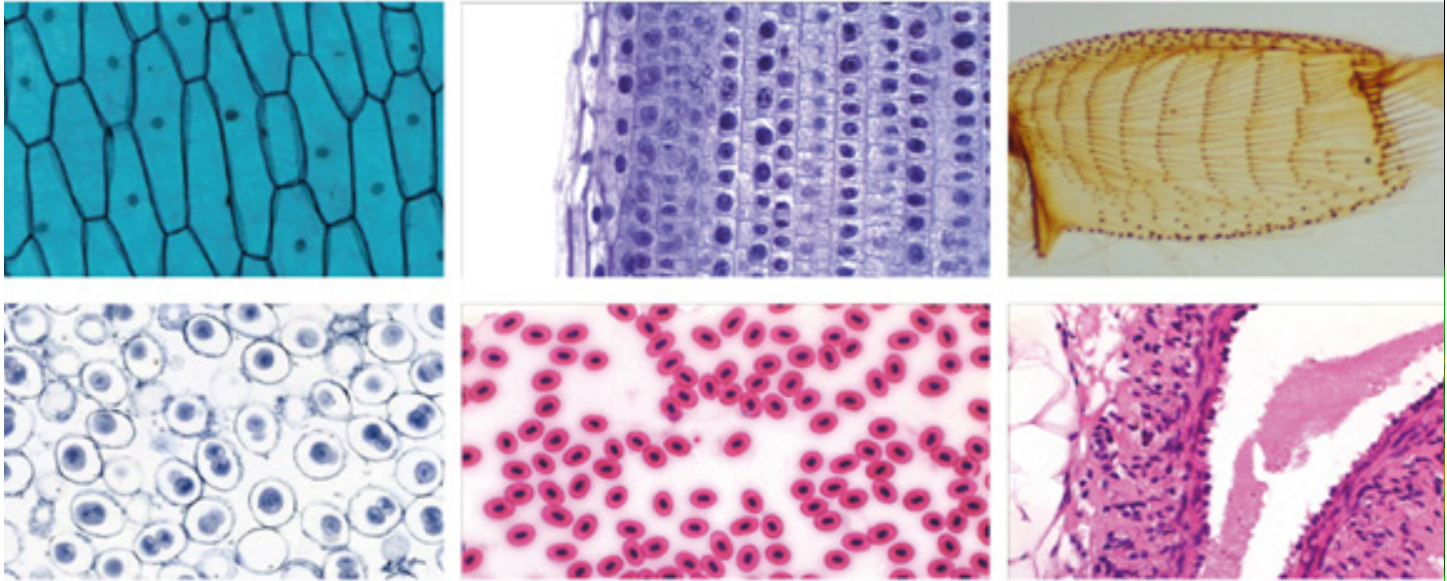
### SPECIFICATON

Item	Specification	
Optical System	Finite Optical System	
Viewing Head	Seidentopf Binocular Head, Inclined at 30°, 360° Rotatable, with locking mechanism for eyepieces, right diopter adjustment:±5, Interpupillary Distance 50-75mm	
Eyepiece	PL10×/18mm	
Objective	Achromatic Objective	4×/0.10, WD=21.50mm
		10×/0.25, WD=6.26mm
		40×(S)/0.65, WD=0.48mm
		100×(S,Oil)/1.25, WD=0.15mm
Nosepiece	Backward Quadruple Nosepiece	
Stage	Double Layers Mechanical Stage 115×125mm/ 70×30mm	
Focusing	Low-position coarse and fine adjustment with stop and tighten structure, moving range: 13mm (combine with single layer stage), 7mm (combine with double layers mechanical stage); fine precision 0.002mm	
Condenser	NA 1.25 Abbe condenser with iris diaphragm and filter holder	

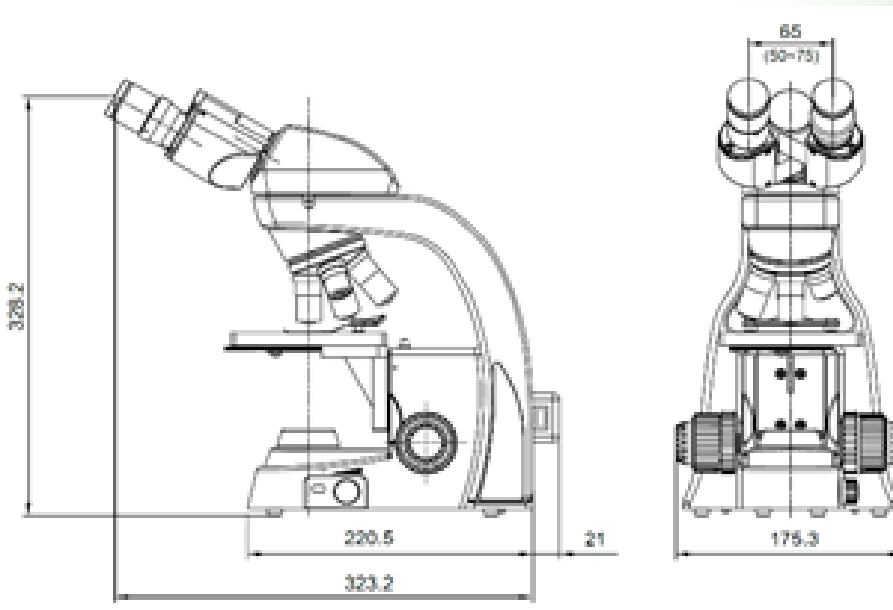


<p>illumination</p>	<p>0.2W LED illumination (color temperature 5700-6500K), intensity adjustable; external power adapter (input 100V-240V, output 5V/1A), with rechargeable battery compartment(for 3pcs Ni-MH AA battery, battery not included)</p>
<p>Packaging</p>	<p>1pc/carton, 44cm*47cm*24cm, GW:6kgs, NW: 5kgs</p>

**SAMPLE IMAGES**



**DIMENSION**



unit mm

