



# LABOMED, INC.

www.labomed.com  
spectro@labomed.com

## LB-290 Inverted Trinocular Biological Microscope with Infinite Optical System

### Features



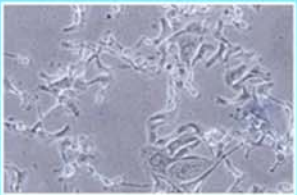
With LWD Infinite Plan Objective, Making Viewing Field Flatter and Brighter, Contrast Sharper, Living Cell Observing easier



Advanced and Reliable Mechanical Stage with Knob Height and Tightness Adjustable

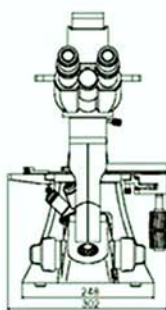
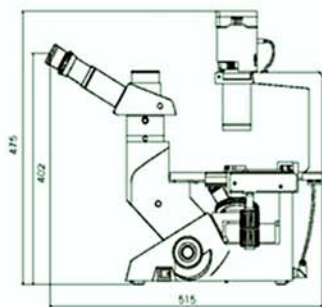


Different Holders for Various Observations



With pre-centerable Phase Annulus, Available to Observe Low Contrast or Transparent Specimens

### Dimensions



Unit: mm

### Phase Slider

