



LABOMED, INC.

www.labomed.com
spectro@labomed.com

LB-237 Binocular Biological Digital Microscope with Wide Field, Semi-Plan Optical System and Camera and Software (1.3MP)

Introduction

This is a classical digital biological microscope with camera that features an ingenious stand, sharp image, comfortable operation and high-resolution camera, which make your work much enjoyable.

Applications

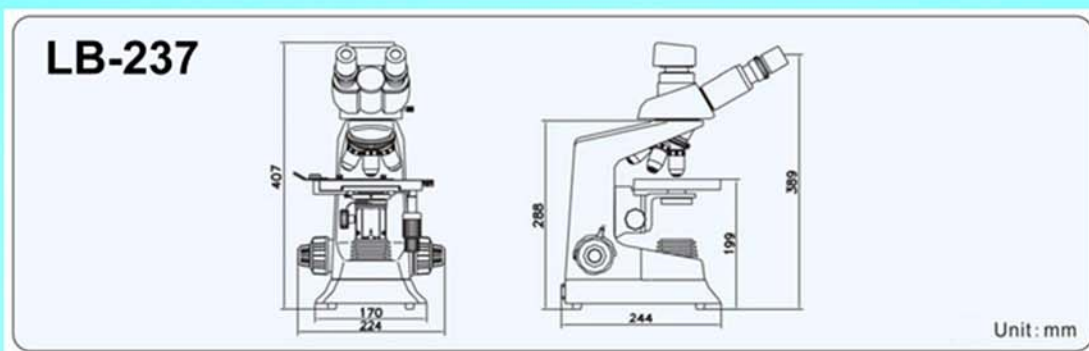
It is widely used in biological, pathological, bacterial, histological, immune, pharmacological and genetic fields. It is suitably used in hospitals, clinics, medical academies, morphology and related research centers.

Specifications

Digital System:	1.3MP CMOS digital camera with high-resolution, 1280×1024, USB2.0 output
Viewing Head:	Seidentopf type Binocular Head at 30°, Interpupillary Distance 48-75mm
Eyepiece:	Wide Field EW10/20
Nosepiece:	Backward Quadruple Nosepiece
Objective:	Semi-plan Achromatic Objective 4×, 10×, 40×, 100×
Condenser:	NA1.25 Abbe Condenser with iris diaphragm and filter, rack & pinion adjustment
Stage:	Double Layers Mechanical Stage 140×140mm/ 75×50mm
Illumination:	LED Illumination Halogen Lamp 6V/20W (optional), Brightness Adjustable, Kohler (optional)
Filter:	Blue and Green Filter
Software:	ScopelImage 9.0
Optional:	Can be supplied with Plan, Infinite and Infinite Plan Achromatic Objectives



Dimensions



Labomed, Inc., 2728 S. La Cienega Blvd. Los Angeles CA 90034 U.S.A.
TEL (310) 202-0811 FAX (310) 202-7286 Email: spectro@labomed.com www.labomed.com